

## FOOD • PHARMACEUTICAL

High IP protection rating

Robot arm completely made out of stainless steel

For challenging ambient requirements

- Stringent hygiene requirements
- Sterility and absence of particles
- High resistance against aggressive fluids

### Data KR15 SL

- Payload: 15 kg
- Supplementary load: 10 kg
- Repeatability:  $\pm 0.1$  mm
- Protection rating: IP 67

## 食品・医薬品産業

高度な防護等級

完全ステンレス製ロボットアーム

厳しい使用環境に対応

- 厳しい衛生面への対応
- 滅菌性と無塵埃
- 酸性・アルカリ性溶液等への高度な耐性

### データ KR15 SL

- 可搬重量: 15 kg
- 追加荷重: 10 kg
- 繰返精度:  $\pm 0.1$  mm
- 防護等級: IP 67



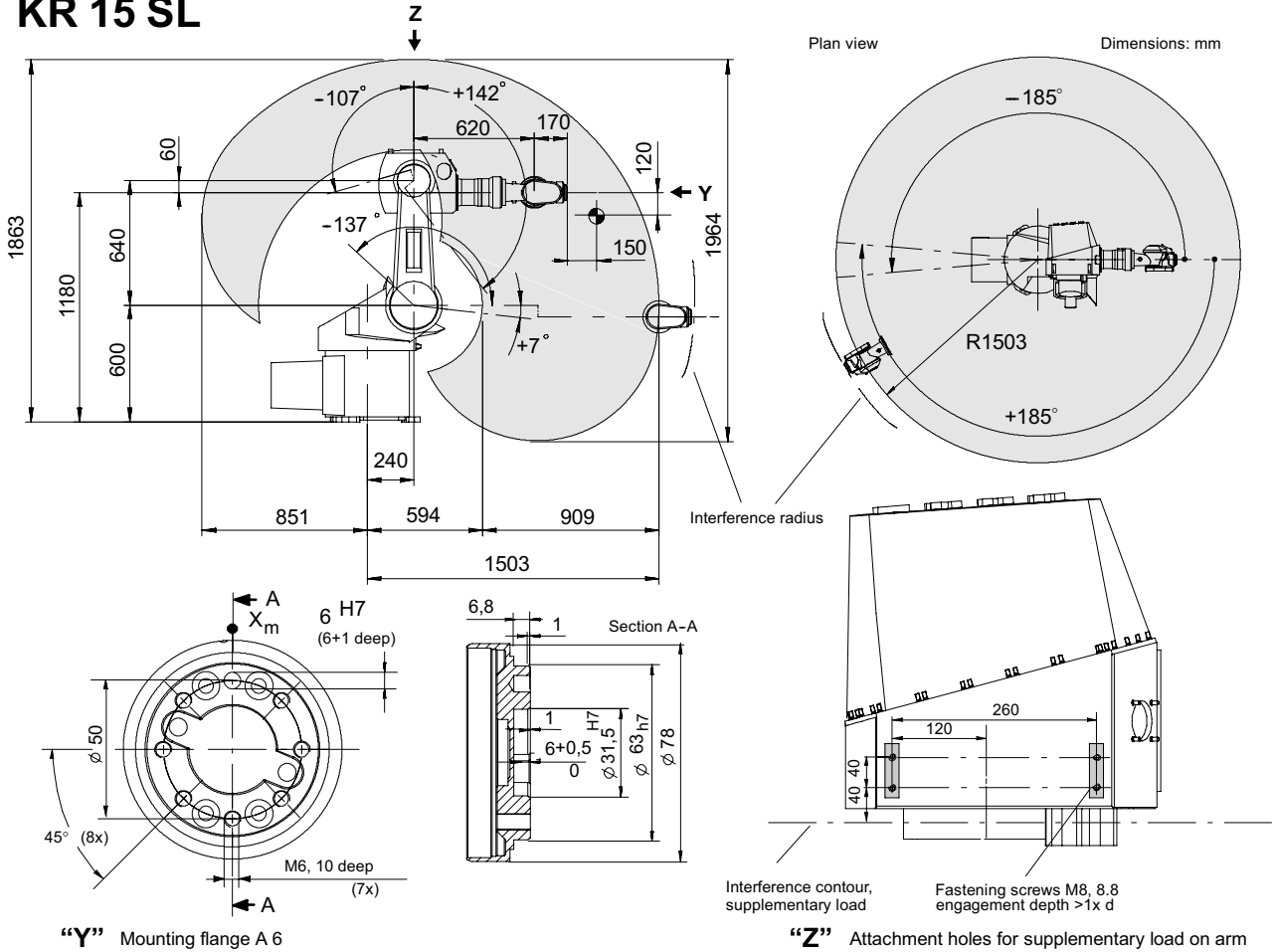
## KR 15 SL

*Worlds only complete stainless steel articulated Robot*

世界で唯一の完全ステンレス製 多関節ロボット

KUKA Robotics Japan K.K.  
Ogikubo TM Building 7F  
5-26-13 Ogikubo, Suginami-ku,  
Tokyo 167-0051 Japan  
info@kuka.co.jp  
www.kuka.co.jp  
phone: +81 3 5347 9831  
fax: +81 3 5347 9835

# KR 15 SL



Payload:	15 kg	
Supplementary load on arm:	10 kg	
Total distributed load:	25 kg	
Number of axes:	6	
Wrist variant:	In-line wrist 15 kg SL	
Mounting flange A 6:	DIN ISO 9409-1-A50	
Mounting position:	Floor, ceiling	
Repeatability (ISO 9283):	± 0,1 mm	
Controller:	KR C2	
Weight (excl. controller) approx.:	315 kg	
Work envelope volume:	9,50 m <sup>3</sup> <sup>1)</sup>	
Axis data:	Range (software)	Speed
Axis 1 (A 1)	± 185°	156°/s
Axis 2 (A 2)	+ 7° / - 137°	156°/s
Axis 3 (A 3)	+ 142° / - 107°	156°/s
Axis 4 (A 4)	± 350°	329°/s
Axis 5 (A 5)	± 130°	332°/s
Axis 6 (A 6)	± 350°	609°/s

1) Referred to intersection of axes 4 and 5.

- Drive system electromechanical, with brushless AC servomotors.
- Position sensing system digital-absolute.

**IP 67**  
**„Stainless Steel“**

Specifications regarding the quality and usability of the products do not constitute a warranty of properties. They are intended to serve informative purposes only. Solely the respective contract of sale shall be binding in respect of the extent of our supplies and services. No liability accepted for errors or omissions. [www.kuka.co.jp](http://www.kuka.co.jp)